

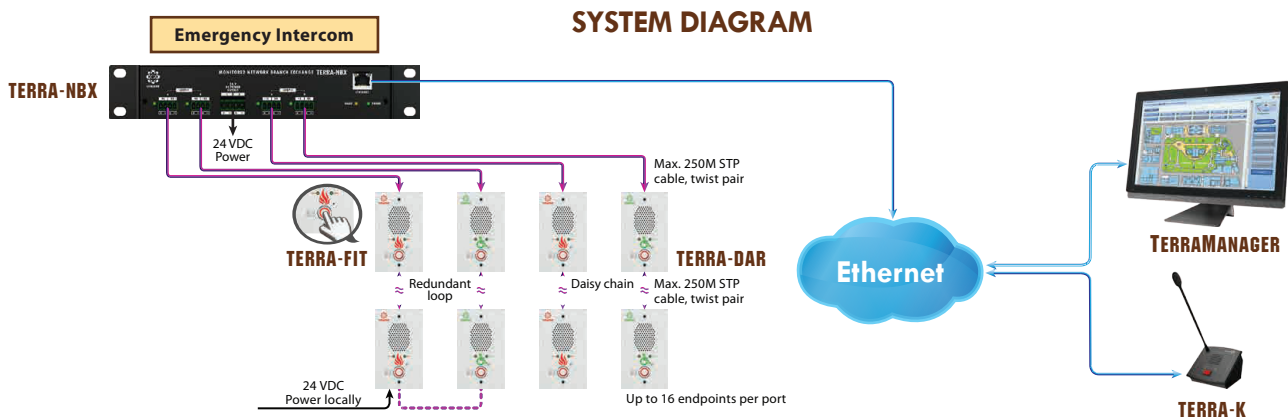


The Emergency Voice Communications System (EVCS) from TERRACOM is designed for emergency intercom such as fire, disabled refuge and help point. This system allows people who needs help to call the emergency control center, and the control center also can call end points.

The EVCS is consisted of Terra-NBX network audio branch exchanger, and two types of digital wall-mount intercom unit: Terra-FIT fire intercom unit and Terra-DAR disabled refuge intercom unit. The Terra-NBX unit is powered by AC mains power and/or connect to a external backup 24VDC power supply. Terra-FIT can be powered from Terra-NBX directly or locally. Terra-NBX has 4 communication ports (2 redundant loops), each port can connect up to 16 Terra-FIT, and up to 64 Terra-FIT (4 ports x 16 Terra-FIT) can be wired in daisy chain or 32 Terra-FIT (2 loops x 16 Terra-FIT) per Terra-NBX.

FEATURES

- Built-in monitoring loudspeaker
- High sensitivity, omni-directional microphone
- Stainless steel front panel
- Simple push to talk button to initiate 2 way communication
- Braille characters (call button) on the front panel for the visually impaired
- Call button LED indicates 3 modes: intercom, request to speak and page by TerraManager for the hearing impaired
- Control and program via web browser
- Remote monitor and control via TerraManager GUI software
- Acoustic echo cancellation and ambient noise reduction
- Easy integration with TERRACOM and IP-PBX via SIP protocol
- 250M (max.) between Terra-NBX to Terra-FIT, Terra-FIT to Terra-FIT via STP twist pair cable
- Up to 64 Terra-FIT can be wired in daisy chain or up to 32 Terra-FIT in redundant loop



TECHNICAL SPECIFICATIONS

INDICATION

- Power LED & Fault LED
- 3 status modes on call button LED
 - Light up: The Terra-FIT is in intercom with TerraManager
 - Flash slowly: The Terra-FIT is requesting and waiting for TerraManager to intercom
 - Flash quickly: The TerraManager is paging to Terra-FIT devices

POWER

- Supplied from Terra-NBX or local external 24 VDC
- Power consumption
 - Active mode: 1.07W (max.)
 - Sleep mode: 0.7W

MECHANICAL

- Dimension (W x H x D): 87 x 147 x 47 mm (3.4 x 5.8 x 1.9 inch)
- Net Weight: 0.4 kg (0.88 lbs)
- Colour: Stainless steel brush

STANDARDS COMPLIANCE

- BS5839, Part 9, 2011

ORDERING INFORMATION

- Terra-FIT: Digital Fire Intercom Unit
- Terra-DAR: Digital Disabled Refuge Intercom Unit