



## ROUND PLASTIC CEILING LOUDSPEAKER

# PCL5/T

The PCL range of ceiling loudspeakers are manufactured in high grade white ABS plastic compound, UL, VO yellow card approved, with aluminium, epoxy powder coated grille. This Combination of materials offers a cost effective alternative to our RCS range, whilst still maintaining its stylish design but with the added benefit of being weather resistant.

Supplied with a dual cone drive unit, giving a wider frequency range than the standard single cone, making the PCL range more suitable for use in applications where background music is a primary requirement.

Manufactured and tested to a high standard in accordance with BS6840, these units can be treated for use in damp humid environments or facilities where the units need to be frequently wiped clean.



● Electrical	
Rated power, Watts	6
Tappings 100 Volt line, Watts	6/3/1.5/0.75/0.25
Transformer Impedance, Ohms 100 Volt	1.67k/3.33k/6.66k/13.3k/39.9k
Tappings 70.7 Volt line, Watts	3/1.5/0.75/0.375/0.125
Driver impedance, Ohms	8
Effective Frequency Range, Hz (BSEN60268-5)	100 - 17,500
S.P.L. @ 1m, 1watt, dB, Test Signal Bandwidth 100Hz-10kHz	83
S.P.L. @ Full power Octave Bandwidth, dB	91
Acoustic Power (dB-PWL @ 1 watt) 1k/2k Hz, dB	83/81
Dispersion at 1k/2k Hz, Degrees	180/150
Directivity Axial Q factor, 1k/2k Hz	2.9/6.6
● Environmental	
IP Rating	21
Min/Max amb temp	-25°C to 70°C
Relative Humidity	≤60%
● Mechanical	
Dimensions, diameter, mm	Ø203
Net weight, kg	0.7
Colour/Finish	White, RAL9016
Material	Plastic Baffle ABS with UV inhibitors, Metal Driver Chassis & Grille
Mounting	Rotary compression clamps
Cut-out, mm	Ø168



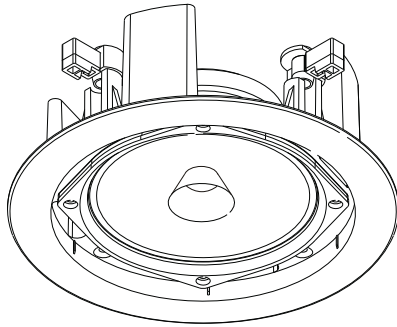
**ATEIS Europe B.V.**  
 Celsiusstraat 1, 2652 XN Lansingerland, Netherlands  
 Phone +31 (0)10 208 86 90, [www.ateis-europe.com](http://www.ateis-europe.com), [info@ateis-europe.com](mailto:info@ateis-europe.com)



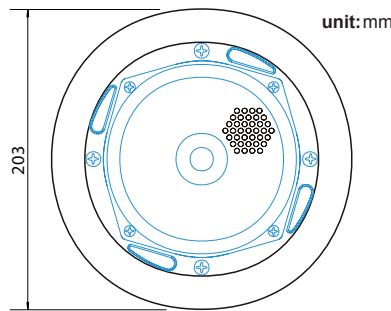
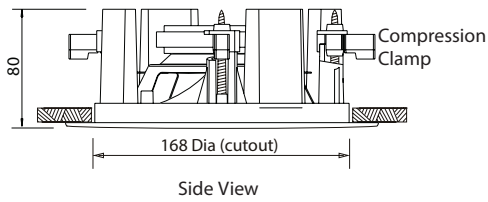
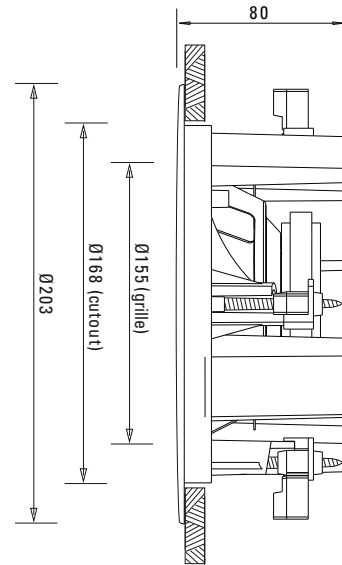
# INSTALLATION GUIDE

## PCL5/T

Isogonal view  
(unit: mm)



Side view  
(unit: mm)



Front View with grille removed

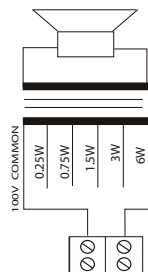
1) Cut a hole in the ceiling 168mm diameter.

2) Remove the metal grille from the front of the loudspeaker by pushing all the rotary compression clamps down towards the grille.

3) Once the grille has been removed connect the 100 volt line input cable to the required tapping via the terminal block shown in the circuit diagram.

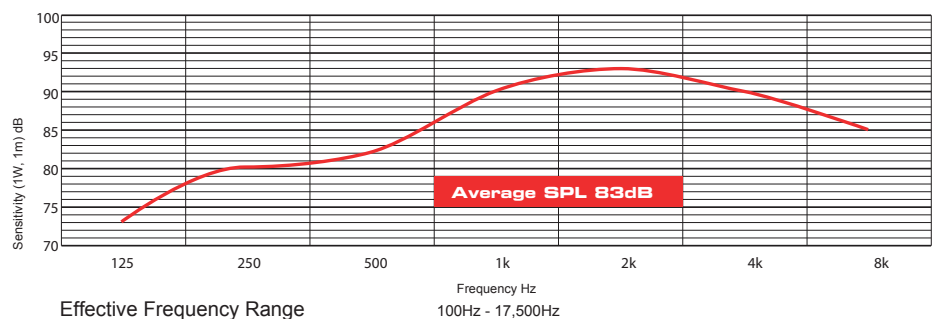
4) The loudspeaker is ready to be pushed up into the cutout prepared earlier. Ensure that all compression clamps are fully extended to allow for the ceiling thickness. Once the loudspeaker is in position use a cross headed screwdriver and turning it in a clockwise motion you will observe that the clamps will pull down and lock the loudspeaker into position.

5) On mounting the speaker replace the snap fit grille.



Circuit Diagram

### Frequency response



Disclaimer: We reserve the right of changes and errors.



**ATEiS Europe B.V.**  
Celsiusstraat 1, 2652 XN Lansingerland, Netherlands  
Phone +31 (0)10 208 86 90, [www.ateis-europe.com](http://www.ateis-europe.com), [info@ateis-europe.com](mailto:info@ateis-europe.com)

