



MAGELLAN
By ATEiS



MCU



Universal Client Microphone

MCU is a Universal Client Microphone with vandal-proof design. This client microphone fits into our MAGELLAN DESK Counter Intercom Systems.

It is made of steel and stainless steel. Its capsule has been especially designed for intercom use.

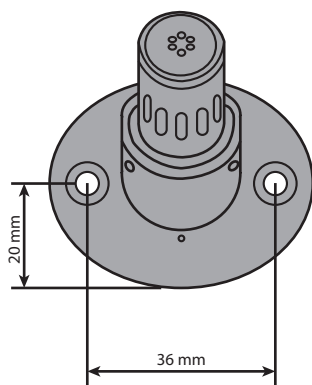
The microphone can be connected to the MGL-DESK Compact Agent Desktop Console thanks to the connection cable delivered with MGL-DESK.

It can be fixed to any type of support using two screws.

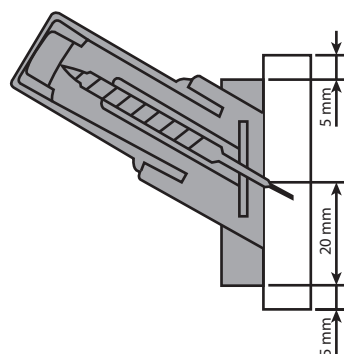
CHARACTERISTICS

- Unidirectional electret microphone
- Sensitivity: 14 mV / Pa (-37 dB \pm 3 dB r2f 0 dB = 1 V / Pa)
- Impedance: 1.8 k Ω \pm 30 % @ 1 kHz
- Dimensions (W x H x P): 40 x 50 x 53 mm
- Weight: 0.142 kg
- Material: Steel bracket – Micro head in stainless steel
- Mounting: Screws (not included) : diameter 4 mm, countersunk head 45°

FRONT VIEW



SIDE VIEW



ATEiS Europe B.V.

Celsiusstraat 1 - 2652 XN Lansingerland (Rotterdam Region), Netherlands
Tel: +31 (0)10 2088690 | www.ateis-europe.com | info@ateis-europe.com