

DNM2-ETH

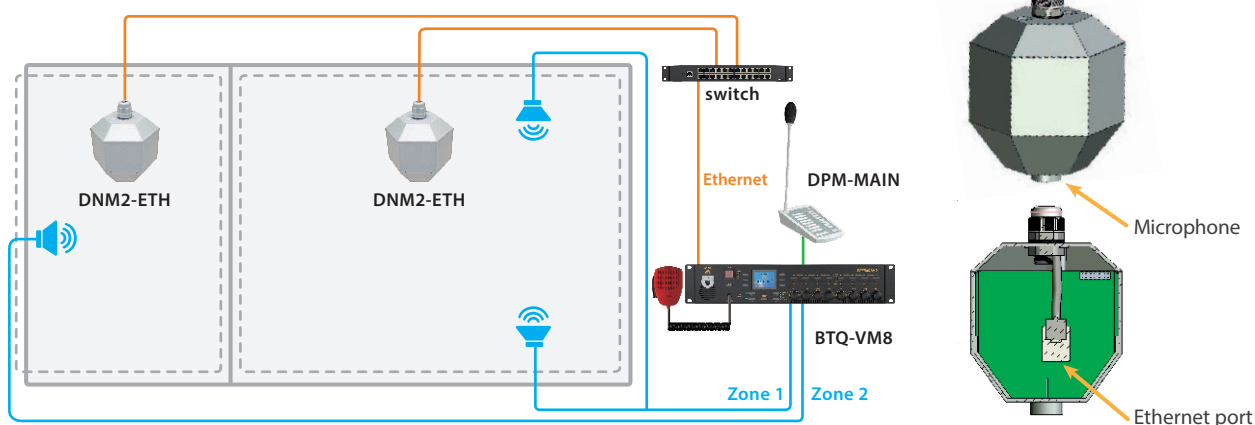


Digital Ambient Noise Sensing Mic, Ethernet

The DNM2-ETH is a digital ambient noise sensing mic, offering precise detection of the background noise and automatically adjusts the output level of loudspeaker to achieve the optimal intelligibility of sound. It features high sensitivity and omni-directional pick up pattern.

The DNM2-ETH is powered by PoE (Power over Ethernet) via CAT5/6 cable (100m max.). Up to 8 DNM2-ETH can be connected to each BOUTIQUE local network.

APPLICATION EXAMPLE



ELECTRICAL

- DNM2-ETH: Powered by PoE (Conform IEEE 802.3af)

AUDIO CHARACTERISTICS

- Capsule type: Electret condenser
- Capsule directivity: Omni-directional
- Ambient noise measurement range: 55 dBA ~ 88 dBA
- Deviation of mic pickup directivity: 0 ~ -1.5 dB ($\pm 30^\circ$)
0 ~ -3.7 dB ($\pm 45^\circ$)
0 ~ -5.3 dB ($\pm 90^\circ$)

NETWORK

- CAT5/6 cable with RJ45 connector via Ethernet port (max. 100M)

CERTIFICATIONS AND APPROVALS

Europe	Voice Alarm	EN54-16 (1438-CPR-0947)
--------	-------------	----------------------------

MECHANICAL

- Dimension
 - Diameter: 105 mm (4.1 inch)
 - Height: 130 mm (5.1 inch)
- Weight: 0.13 kg (0.28 lbs)

ENVIRONMENTAL

- Operating temperature: -5 °C ~ +55 °C (+23 °F ~ +131 °F)
- Storage temperature: -40 °C ~ +70 °C (-40 °F ~ +158 °F)
- Air pressure: 600 to 1100 hPa
- Relative humidity: 20% to 95%
- Heat dissipation: 20 BTU/hr

ORDERING INFORMATION

- DNM2-ETH: Digital Ambient Noise Sensing Mic, Ethernet